

**LAZER**  
HIGH PERFORMANCE LIGHTING

# ISUZU DMAX 2017+ FITTING INSTRUCTIONS

---

GRILLE MOUNTING KIT FOR LINEAR-6



## TECHNICAL SUPPORT

aaron@lazerlamps.com / sales@lazerlamps.com  
+44 (0)1992 945601 / +44 (0)1992 677374

## WHAT'S REQUIRED

- 2x LINEAR-6 LIGHTS
- 1x TWO LAMP HARNESS KIT
- 1x CANBUS HIGHBEAM INTERFACE
- 1x ISUZU DMAX 2021, LINEAR-6 MOUNTING KIT

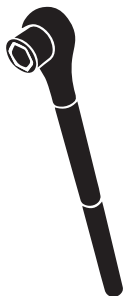
## DIFFICULTY LEVEL



## TOOLS REQUIRED



DRILL BIT  
5MM



METRIC  
SOCKET SET



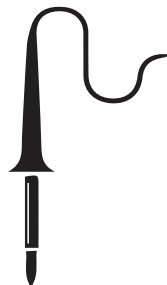
WIRE STRIPPERS  
AND RATCHET CRIMPERS



WIRE CUTTERS



ALLEN KEY SET



SOLDERING  
IRON



T-25 TORX  
SCREWDRIVER



PLASTIC  
TRIM TOOLS

## PRE-INSTALLATION CHECKS

1. Ensure battery is disconnected.

## INSTALL PROCESS

### STEP 1

Remove the 10 plastic retaining rivets that hold the slam panel cover in place.



### STEP 2

Remove slam panel cover and set to one side.



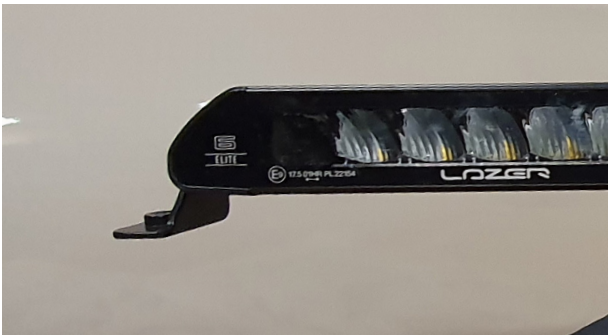
### STEP 3

Assemble Lamps to the 'u' shaped bracket as shown using the supplied fixings.



### STEP 4

Fix the outboard side brackets to the Lamps.

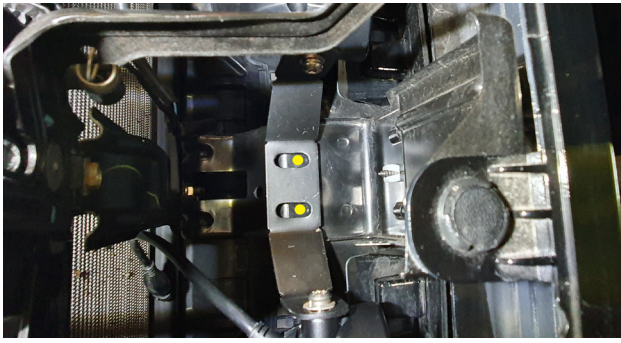


### STEP 5

Carefully insert the lamp assembly into position behind the centre grille.





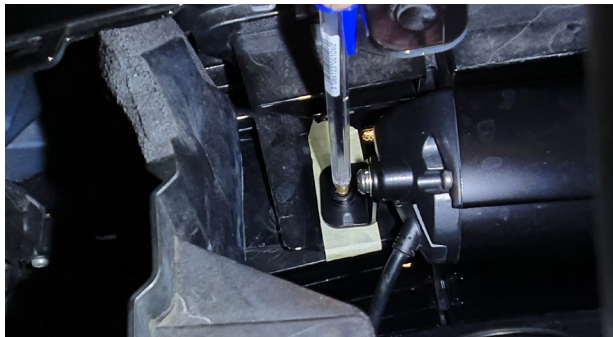
**INSTALL PROCESS CONTINUED**

**STEP 6**

The centre bracket should sit on top of the metal support located below the bonnet catch.

Mark the drill locations.


**STEP 7**

Drill x2 6mm holes and secure the centre bracket to the metal support with the included fasteners.


**STEP 8**


Mark out where the end brackets need to be drilled and drill a 6mm hole.

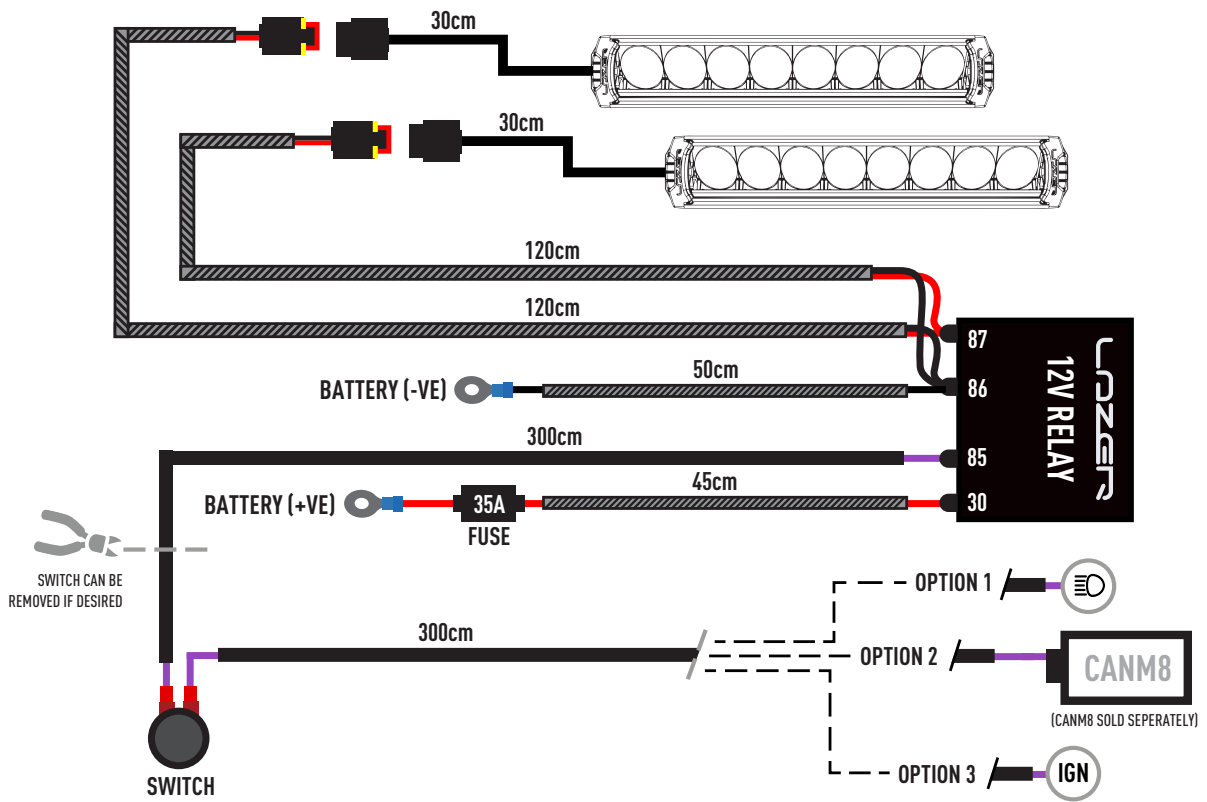

**STEP 9**


Place the included 5mm spacer between the bracket and the grille to level the lamp and secure with included fasteners.


**STEP 10**

Aim lights, check functionality and tighten, before re-assembling vehicle.

### WIRING DIAGRAM



### HIGH BEAM SIGNAL WIRE

High beam 12v signal wire is a Pink wire on Left headlight plug (tested on LED headlamps)







# LAZER

H I G H P E R F O R M A N C E L I G H T I N G

**Thank you for choosing a Lazer Lamps product.**  
**Vielen Dank dafür, dass Sie sich für ein Produkt von Lazer Lamps entschieden haben.**  
**Merci pour choisir un produit de Lazer Lamps.**  
**Gracias por la seleccion de productos de Lazer Lamps.**